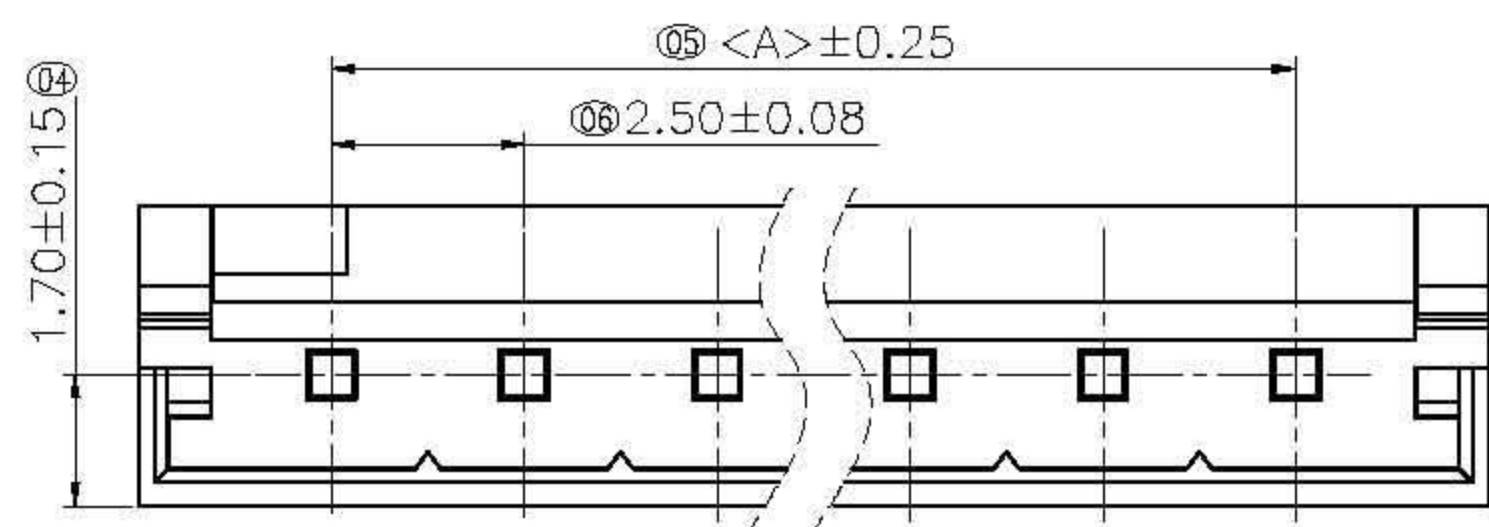


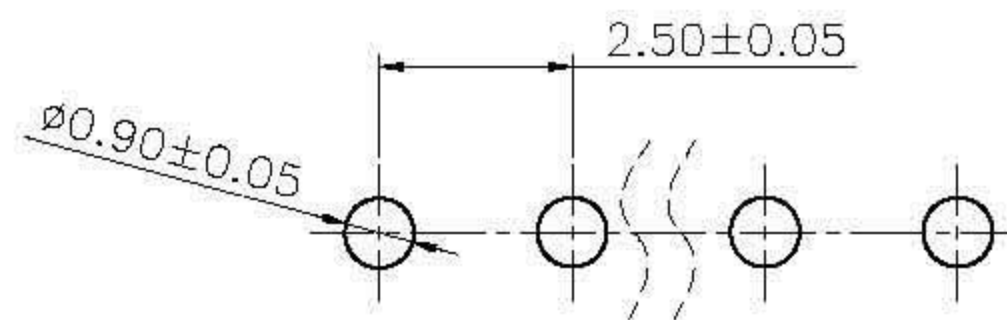
NOTES:

CURRENT RATING: 2.5A AC/DC.
 VOLTAGE RATING: 250V AC/DC.
 TEMPERATURE RANGE: -25°C~+85°C.
 CONTACT RESISTANCE: 10mΩ MAX.
 INSULATION RESISTANCE: 1000MΩ MIN.
 WITHSTANDING VOLTAGE: 800V AC/MINUTE.



Recommended P.C.B Layout(Top Side)

P.C.B Thickness = 1.20-1.60mm
 (Tolerance= ± 0.05)



PART NO.	Dimensions	
	A	B
WF2503S02	2.50	7.50
WF2503S03	5.00	10.00
WF2503S04	7.50	12.50
WF2503S05	10.00	15.00
WF2503S06	12.50	17.50
WF2503S07	15.00	20.00
WF2503S08	17.50	22.50
WF2503S09	20.00	25.00
WF2503S10	22.50	27.50
WF2503S11	25.00	30.00
WF2503S12	27.50	32.50
WF2503S13	30.00	35.00
WF2503S14	32.50	37.50
WF2503S15	35.00	40.00

GXCON ENTERPRISE CO., LTD

共用件胶芯	PA66 UL94V-0	乳白色
PIN针	BRASS	SQ0.64X8.50
PART NAME	MATERIALS	SPEC

DIM	TOL	DIM	TOL
X.	/	X'	/
X.X	± 0.25	X.X'	$\pm 2'$
X.XX	± 0.20	X.XX'	$\pm 1'$
X.XXX	± 0.10	X.XXX'	/

DRAW NO.	DATE	P/N NO:	DRAW NAME:
DESIGN:		WF2503SXX	EH 2.50 180° Wafer
CHECK:		REV. B	SCALE 1:1
REVIEW:		UNIT: mm	SHEET: 1 OF 1